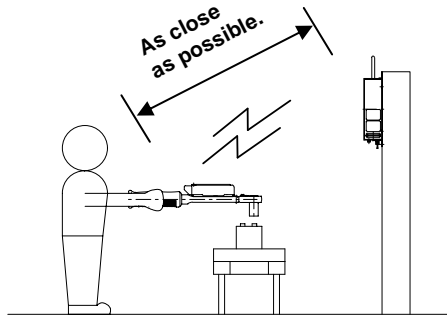


Proper FH Placement

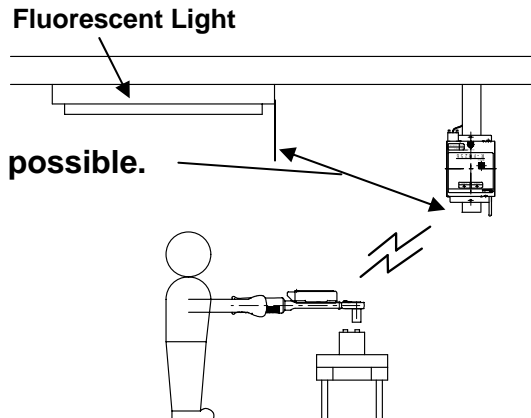
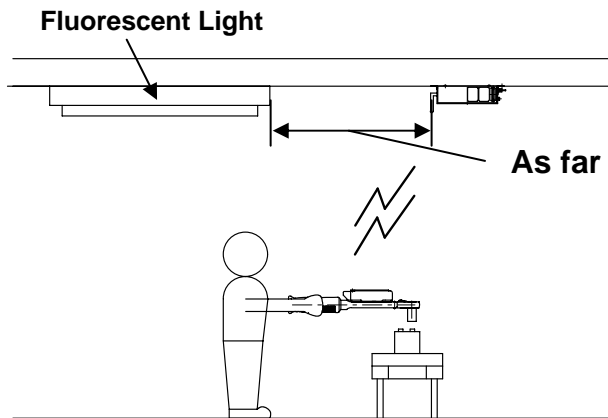
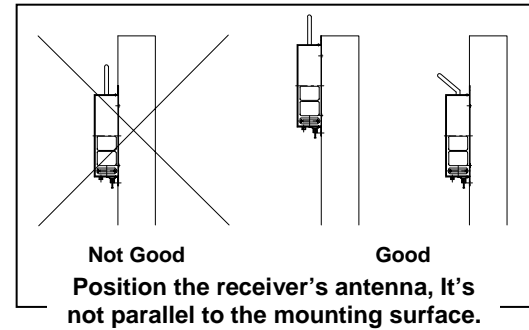
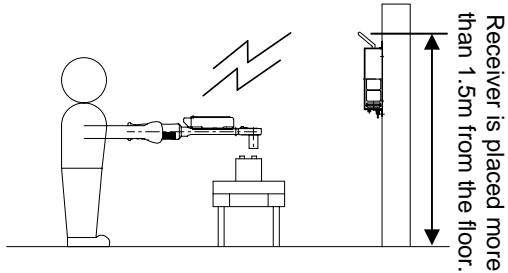
061008

Proper Location

Place Receiver as close to operator as possible for best reception.

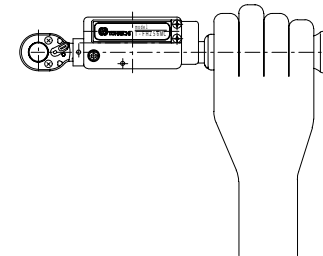


Nothing between Transmitter and Receiver.



Place the receiver as far from fluorescent light source as possible.
Some kinds of fluorescent light near receiver or transmitter will reduce transmission distance.

Proper wrench handling



Handle the wrench in proper way and add the force on the effective length line.