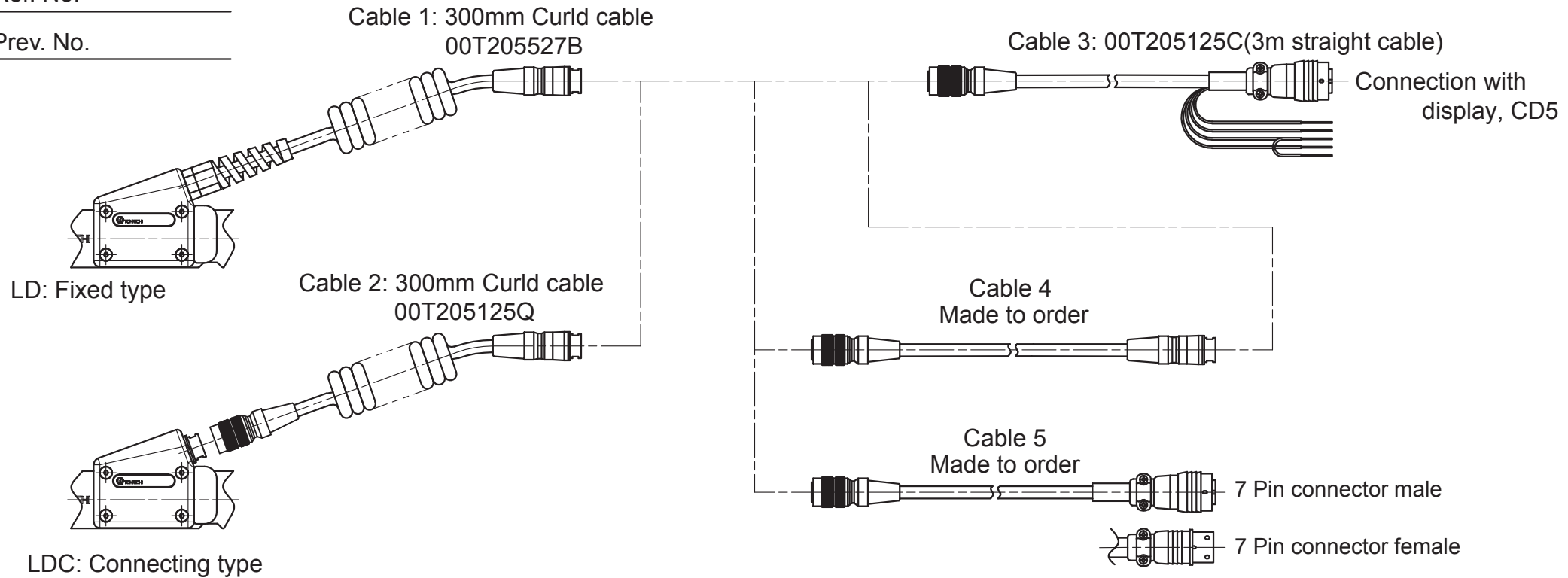


LD/LDC Cable Specification Sheet

Ref. No. _____

Prev. No. _____



	Cable 3	Cable 4	Cable 5 *1		AC Adaptor *2 00T206079D
Length	Specify the length Made to order	Specify the length Made to order	Specify the length Made to order	Connector	
Straight cable	Straight cable	Straight cable	Straight cable	7 Pin connector male	Necessary/ Unnecessary
3m	m (4 - 10m, in 1m increments)	m (4 - 10m, in 1m increments)	m (4 - 10m, in 1m increments)	7 Pin connector female	

Enclose items of requirement in a circle and write down required cable length. 300mm coiled and 3m straight cables are standard equipment.

*1. Cable 5 is for connecting LD/LDC to the previous CSPD/ACQSPD cable from CD5.

Select the connector shape depending on your CSPD.

- Standard "CSPD", Fixed type: use 7 Pin connector male
- "CSPD-KN", Connecting type: use 7 Pin connector female

*2. To perform OK/NG LED light with CD5 less than version 1.4, AC adaptor 00T206079D is required.