

Interchangeable Radio Module M-FH · M-FD · M-BL

Operating Instruction

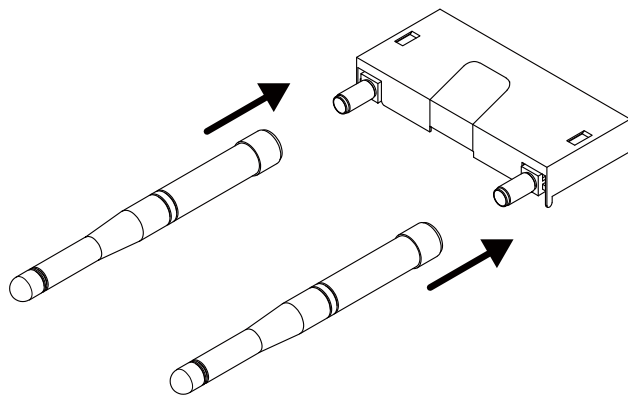


To use this product properly and safely, please read this operating instruction carefully before use. If you have any question about the product and its operations, please contact your nearest distributor or Tohnichi Mfg. Co., Ltd.

1. Attach antenna to the module body.

* M-FH·M-FD: 2 pcs

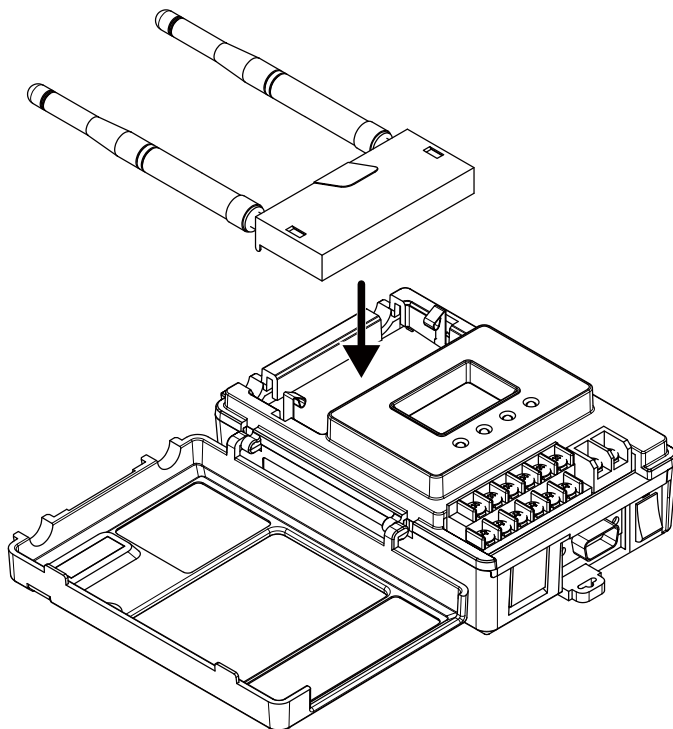
M-BL: 1pc



2. Open the front cover of R-CM receiver.

Mount the module on the R-CM and fix the fixture lever on the grooves of module.

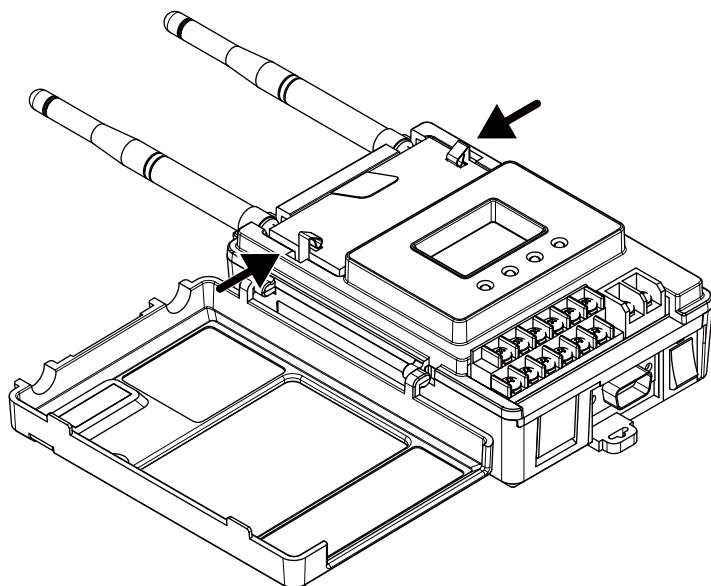
Take care not to be caught the fixture lever between the module and receiver.



3. Push inward the fixture levers until it enter the grooves of the metal case.

Do not push in the levers too hard.

If the levers could not insert, check whether the module has been set on proper position.



Radio Module Specifications

Model	M-FH	M-FD	M-BL	M-BLA	M-BLE
Frequency	2.4GHz band 2.402 - 2.479GHz, 1MHz interval, 78ch		928.35MHz	902.875MHz	868.3MHz
Communication Method	Spectrum spread (Frequency Hopping System)		—		
Modulation	GFSK		FSK		
Modulation Speed	250kbps/1Mbps	1Mbps	125kbps		
Group Channel	256(000 to 255)		—		
ID	3-digit 000 - 999, 7-digit alphanumeric		Fixed 8-digit unique ID		
Antenna	Dipole antenna x 2		Dipole antenna		
Operation Temperature	0 to 50°C Less than 85% RH no condensation				
Communication Distance	M-FH mode: 20 to 30m R-FH mode: 10 to 20m	10 to 20m			

■ **Tohnichi Mfg. Co., Ltd.**

Tel.+81-3-3762-2455 Fax.+81-3-3761-3852
2-12, Omori-Kita, 2-Chome Ota-ku, Tokyo Japan
E-mail: overseas@tohnichi.co.jp
Website: <http://www.global-tohnichi.com>

■ **N.V. Tohnichi Europe S.A.**

TEL.+32 16 60 66 61 FAX.+32 16 60 66 75
Industrieweg 27 Boortmeerbeek, B-3190 Belgium
E-mail: europe@tohnichi.com

■ **Tohnichi America Corp.**

Tel.+1 847 947 8560 Fax.+1 847 947 8572
1303 Barclay Blvd. Buffalo Grove, IL 60089 USA
E-mail: inquiry@tohnichi.com
Website: <http://tohnichi.com>

■ **Tohnichi Shanghai Mfg. Co., Ltd.**

东仁扭矩仪器 (上海) 有限公司
Tel.+86 21 3407 4008 Fax.+86 21 3407 4135
RM.5 No.99 Nong1919, Du Hui Road, Minhang,
Shanghai, P.R.China
E-mail: sales@tohnichi-sh.com



• All rights reserved. No reproduction or republication without written permission.

• ©Tohnichi Mfg. Co., Ltd. All Rights Reserved.