

SPECIFICATIONS

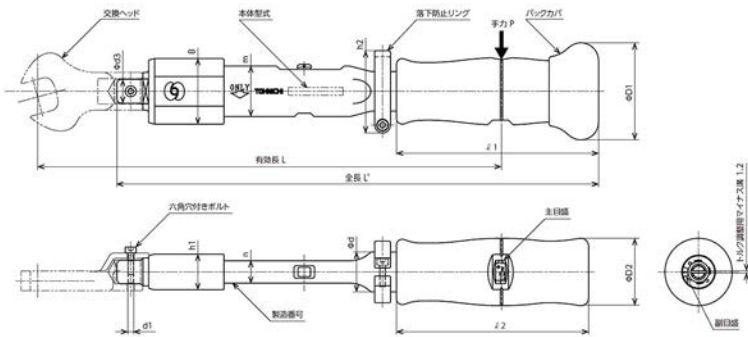
Model		CLWP15NX10D	CLWP25NX10D	CLWP50NX12D	CLWP100NX15D	CLWP140NX15D	CLWP200NX19D
Torque Adjustment Range [N · m]	Minimum to Maximum	5~15	10~25	20~50	40~100	60~140	80~200
	1 Scale	0.25		0.5	1		2
Applicable screw (reference)	Ordinary Steel	M8	M8	M10	M12 (M14)	M16	(M18)
	Highten	(M6) M7	(M7)	M8	M10	M12	(M14)
Hand force at maximum torque P [N]		72.5	120.8	213.7	307.7	378.4	438.6
Dimensions [mm]	Effective Length	L	207	234	325	370	456
	Full Length	L'	220.5	243	333.5	378.5	457.5
	Head	d1	M3		M4		
		d3	10	12	15	19	
	Body	m	19	25.5	28	35	
		n	9.2	11.2	12.2	15	
		d	15	20	21.7	27.2	
		D1	44	49	50	56	
		D2	29	34	36	42	
		ℓ1	96.5	102	106	130	
		ℓ2	91.5	97	101	125	
		B	25	33	34.5	44.5	
h1		16	18	19	23.5		
h2		36.5	41.5	43.5	49		
Weight approx. [kg]		0.3	0.5	0.7	0.8	1.4	

Model			CPQH10D	CPQH12D	CPQH15D	CPQH19D
Dimensions [mm]	Horn Drive	a	9.53		12.7	
		b	11		14	15.4
	Outer Width	C	26	32	37.5	40
	Height	h	22	25.6	33.5	38.4
	Length	ℓ1	44	53	63	80
Weight approx. [kg]			0.1	0.19	0.3	0.45

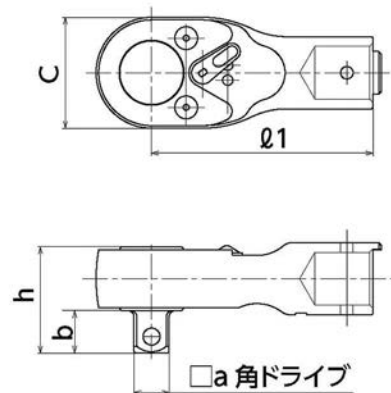
Notes

CAUTION: Can not be used underwater.

DIMENSIONS



Waterproof torque wrench "CLWP series" Dimensional drawing



Replacement head for CLWP "CPQH series" Dimensional drawing