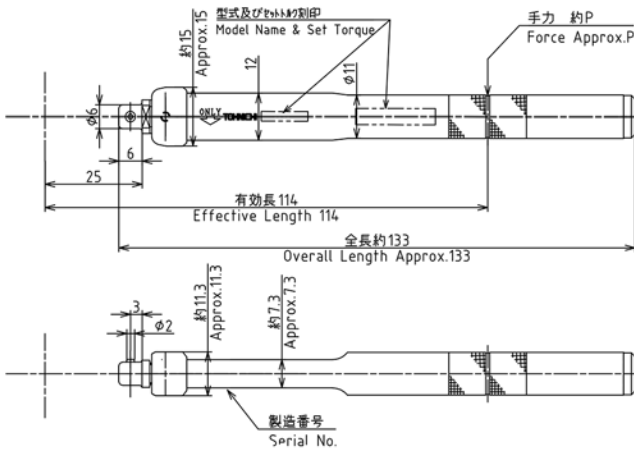


SPECIFICATIONS

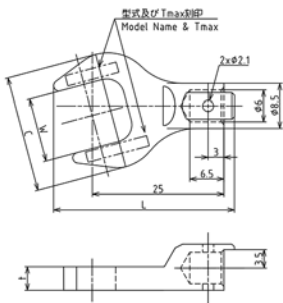
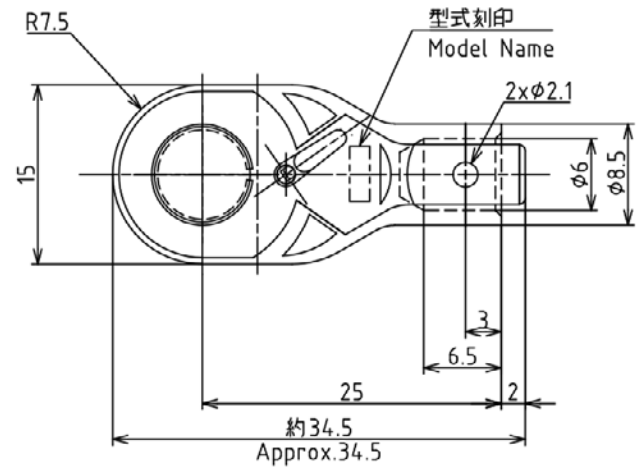
Accuracy  $\pm 3\%$

MODEL		CSP2NX6D	CSP5NX6D
S.I. RANGE [N · m]		0.4 ~ 2	1 ~ 5
METRIC RANGE [kgf · cm]		4 ~ 20	10 ~ 50
AMERICAN RANGE [lbf · in]		3.5 ~ 17.7	8.8 ~ 44.2
APPLICABLE BOLT (REFERENCE)	COMMON STEEL	M4	M5, M6
	HIGH TENSION	(M3.5)	(M4.5)
MAX HAND FORCE [N]		17.5	44
WEIGHT [kg]		0.06	

DIMENSIONS

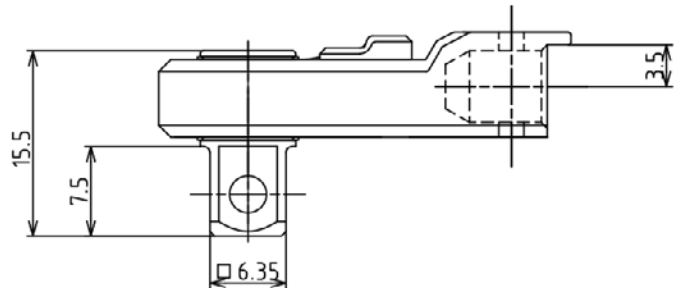


CSP2NX6D and CSP5NX6D



型式(外径×口幅) Model (Outside Dia × Width)	外径 Out Side Width C [mm]	厚さ Thickness t [mm]	全長 Overall Length L [mm]	Tmax [N·m]
SH6DX5.5	13	3	31.5	1.5
SH6DX6	15		32	2.5
SH6DX7	17		32.5	3.5
SH6DX8	18	4.5	33	5
SH6DX10	20		33.5	
SH6DX11	21		34	
SH6DX12	22	34.5	5	
SH6DX13	23	35		
SH6DX14	24	35.5		
SH6DX16	26	36.5	5	
SH6DX17	27	37		
SH6DX19	29	37.5		

SH6D



QH6D