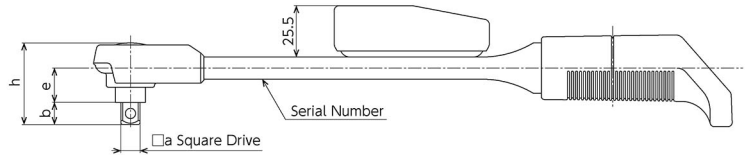
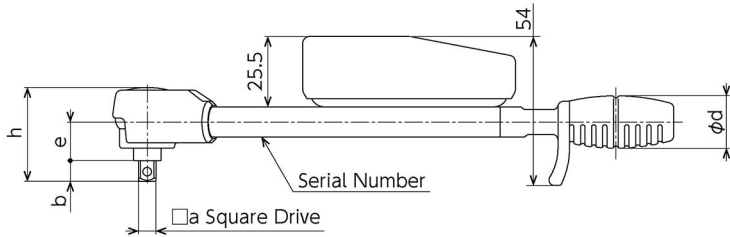
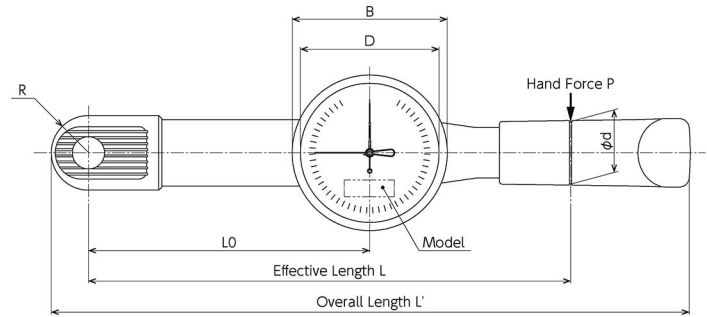
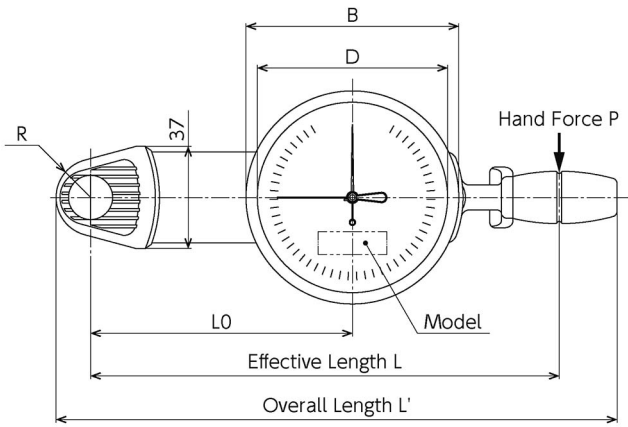


SPECIFICATIONS

Accuracy ±3%

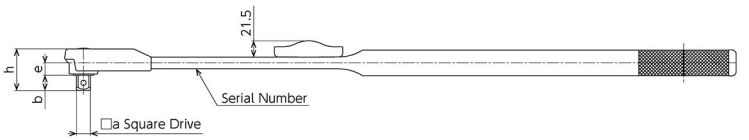
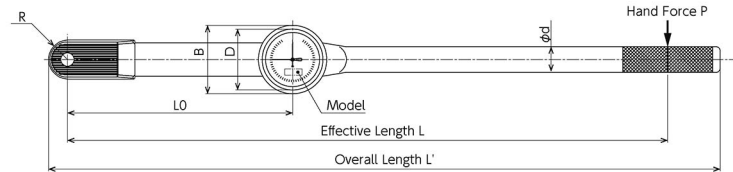
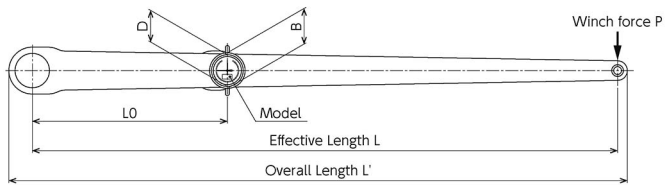
S.I. MODEL		DB1.5N4-S	DB3N4-S	DB6N5-S	DB12N5-S	DB25N5-1/4-S	DB25N5-S	DB50N-S	DB100N-3/8-S	DB100N-S	-	-	-	DB200N-S	-	DB280N5-1/2-S	DB280N5-S	DB420N-S		
TORQUE RANGE [N · m]	MIN.~MAX.	0.2~1.5	0.3~3	0.7~6	1.4~12	3.5~25		5~50	10~100		-	-	-	20~200	-	35~280		40~420		
	GRAD.	0.02	0.05	0.1	0.2	0.5			1		-	-	-	2	-	5				
METRIC MODEL		15DB4-S	30DB4-S	DB60M5-S	DB120M5-S	DB250M5-1/4-S	DB250M5-S	DB500M5-S	DB1000M3/8-S	DB1000M5-S	-	-	-	DB2000M5-S	-	DB2800M5-1/2-S	DB2800M5-S	DB4200M5-S		
TORQUE RANGE [Kgf · cm / Kg · m]	MIN.~MAX.	kgf·cm 2~15	3~30	7~60	14~120	35~250		50~500	100~1000		-	-	-	200~2000	-	kgf·m 3.5~28		4~42		
	GRAD.	kgf·cm 0.2	0.5	1	2	5			10		-	-	-	20	-	kgf·m 0.5				
AMERICAN MODEL		DB131-2AS	DB261-2AS	DB401-2AS	DB751-2AS	DB1501-2AS	DB1501-3AS	DB3001-3AS	DB6001-3AS	DB6001-4AS	DB25F-3AS	DB50F-3AS	DB50F-4AS	DB100F-4AS	DB175F-4AS	-	DB250F-6AS	DB350F-6AS		
TORQUE RANGE [lbf · in / lbf · ft]	MIN.~MAX.	lbf·in 0~13	0~26	0~40	0~75	0~150		0~300	0~600		lbf·ft 0~25	0~50	0~50	0~100	0~175	-	0~250	0~350		
	GRAD.	lbf·in 0.2		0.5	1	2		5	10		lbf·ft 0.5			1	2	-	5			
APPLICABLE BOLT	STEEL	(M3.5)	M4 (M4.5)	M5, M6	(M7)	M8	M10	M12 (M14)	M10	M12 (M14)	M10	M12 (M14)	M16 (M18)	M16 (M18)	M20	(M22)				
	HIGHT TENSION	M3 (M3.5)	M4	M4 (M4.5)	M5, M6	(M7)	M8	M10	M8	M10	M8	M10	M16 (M18)	M16 (M18)	M16	(M18)				
MAX. HAND FORCE P [N]		8.8	17.6	35.3	70.6	125	208	323	141.2	218.7	488	486.2	467	525						
DIMENSION [mm]	EFFECTIVE LENGTH L	170				200		240	310	240	310	410	488	600	800					
	OVERALL LENGTH L'	205				245		320	400	320	400	500	580	690	890					
	WIDTH B	77.2										91								
	SCALE DIA. D	69										81								
	SQ. DRIVE	a	6.35				9.53		12.7	12.7	9.53	12.7		19.05						
		b	7.5		8.5		11		12.4	14	11	12.4		17.7		20.5				
	HEAD	e	14				17		21.5		14.7		16.7							
		h	34		38		40.5		41.9	43.5	40.5	41.9	43.5	47.2	49.3	52.1	57.1			
		R	14				18.5		21.5		26									
	BODY	d	19		30.6		32		31.3	32	31.3		35.4		34					
L0		95		110		140		180	140	180		230		300						
WEIGHT [kg]		0.4				0.6		0.7	0.6	0.7	1		1.65		2.5					

DIMENSIONS

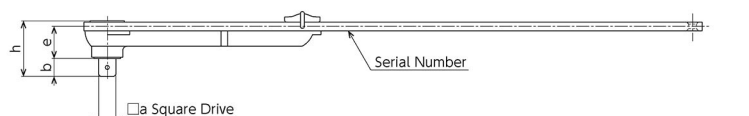
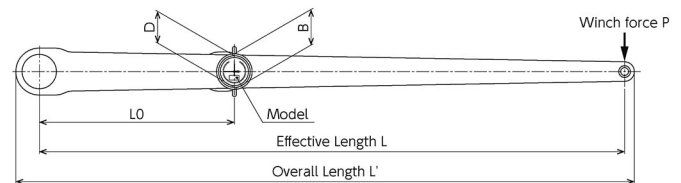
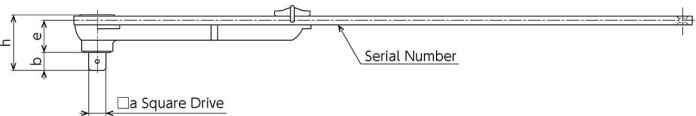


DB1.5N4 ~ 12N5

DB25N5 ~ 280N5



DB420N



DBR4500N-S, 6000N-S