

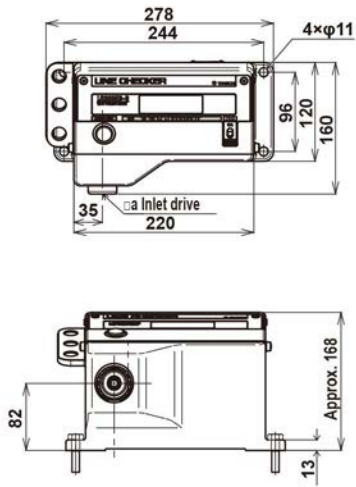
SPECIFICATIONS

Accuracy $\pm 1\%+1$ digit

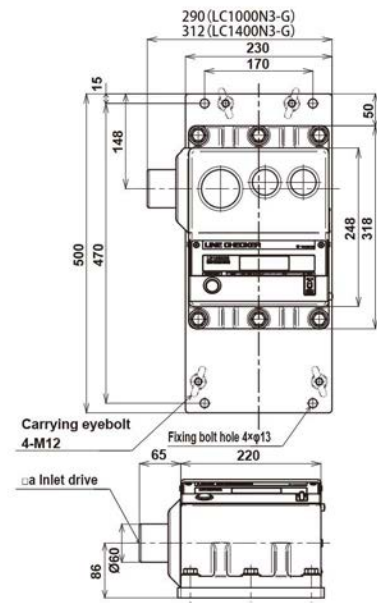
MODEL		LC20N3-G			LC200N3-G			LC1000N3-G		LC1400N3-G			
TORQUE RANGE [cN · m]	PEAK	50.0~99.8	100~999	1000~2000									
	1 DIGIT	0.2	1	10									
	RUN (Min~Max)	50.0~2000.0											
	1 DIGIT	0.2											
TORQUE RANGE [N · m]	PEAK	0.500~0.998	1.00~9.99	10.0~20.0	5.00~9.98	10.0~99.9	100~200	50.0~99.9	100~1000	100~999	1000~1400	—	
	1 DIGIT	0.002	0.01	0.1	0.02	0.1	1	0.1	1	1	10	—	
	RUN (Min~Max)	0.500~20.000			5.00~200.00			50.0~1000.0		100.0~1400.0		—	
	1 DIGIT	0.002			0.02			0.1		0.2		—	
TORQUE RANGE [kgf · cm]	PEAK	5.0~9.98	10.0~99.9	10~200	50.0~99.8	100~999	1000~2000						
	1 DIGIT	0.02	0.1	1	0.2	1	10						
	RUN (Min~Max)	5.0~200.0			50.0~2000.0								
	1 DIGIT	0.02			0.2								
TORQUE RANGE [kgf · m]	PEAK							5.0~9.99	10.0~100.0	10.0~99.9	100~140	—	
	1 DIGIT							0.01	0.1	0.1	1	—	
	RUN (Min~Max)							5.0~100.0		10.0~140.0		—	
	1 DIGIT							0.01		0.02		—	
TORQUE RANGE [lbf · in]	PEAK	5.0~9.98	10.0~99.9	100~174	50.0~99.8	100~999	100~1740	500~999	1000~8800	900~998	1000~9990	10000~12000	
	1 DIGIT	0.02	0.1	1	0.2	1	10	1	10	2	10	100	
	RUN (Min~Max)	5.0~174.0			50.0~174.0			500~8800		900~12000			
	1 DIGIT	0.02			0.2			1		2			
TORQUE RANGE [lbf · ft]	PEAK				4.00~9.98	10.0~99.9	100~140	36.8~99.9	100~735	75.0~99.8	100~1000		
	1 DIGIT				0.02	0.1	1	0.1	1	0.2	1		
	RUN (Min~Max)				4.00~140.00			36.8~735.0		75.0~1000.0			
	1 DIGIT				0.02			0.1		0.2			
INLET DRIVE \varnothing a [mm]		9.53			12.7			25.4					
DIMENSION [mm]	OVERALL LENGTH	278						500					
	OVERALL WIDTH	160						290		312			
	OVERALL HEIGHT	167						186					
WEIGHT [kg]		10.5						34		39			
ACCESSORIES [mm]	SOCKET ADAPTER	\varnothing 9.5(MALE) - \varnothing 6.35(FEMALE) No.270			\varnothing 12.7(MALE) - \varnothing 9.53(FEMALE) No.272			\varnothing 19.05(MALE) - \varnothing 12.7(FEMALE) No.274					
								\varnothing 25.4(MALE) - \varnothing 19.05(FEMALE) No.276					
	HEXAGON HEAD ADAPTER	\varnothing 9.53 - W6.35			\varnothing 12.7 - 8,10,12,13,14,17,19,22			—					
		For torque driver			No.280								
		\varnothing 9.53 - W8,10,12,13,14,17 No.282											

DISPLAY	Black mask LCD (white · red · blue)
DISPLAY DIGITS	3-digit (PEAK) /5-digit (RUN)
DATA MEMORY	1000 data (Counter, Time, Torque Date)
MEASUREMENT MODE	PEAK/RUN
ZERO ADJUSTMENT	C key, Auto zero by Power OFF/ON
UPPER/LOWER LIMIT VALUE SETTING	10 settings
DATE OUTPUT	RS232C-compliant and USB (B-type) connectors for serial communication
MEMORY/RESET	Manual/Auto [Changeable in the range from 0.1 to 5.0 sec.]
OPERATING TEMPERATURE RANGE [°C]	0~40 (no condensation)
POWER AC [V]	100~240 $\pm 10\%$ 50/60Hz

DIMENSIONS



LC20N3, LC200N3



LC1000N3, LC1400N3