

SPECIFICATIONS

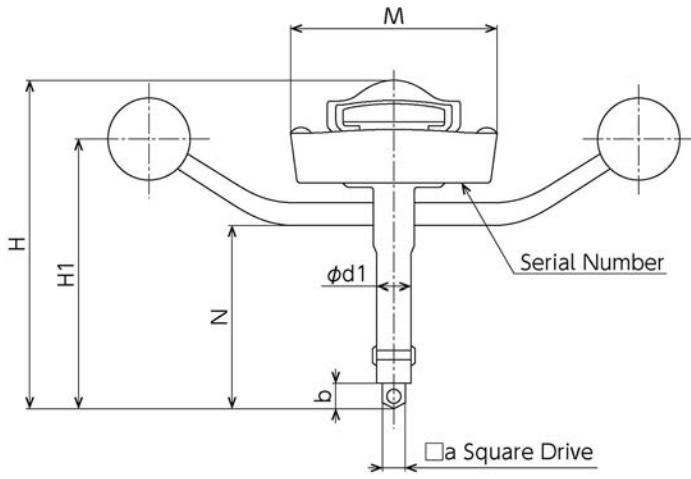
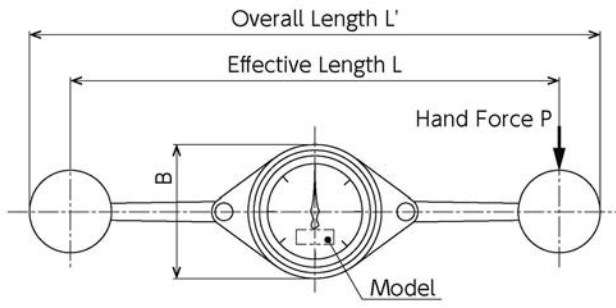
Accuracy ±3%

S.I. MODEL		T23N2-S	T45N-S	T90N-S	T180N-S	T700N-S	T1000N-S	T1400N-S	T2100N-S	T2800N-S	T4200N-S		
TORQUE RANGE [N·m]	MIN.~MAX.	3.5~23	5~45	10~90	20~180	70~700	100~1000	200~1400	200~2100	300~2800	500~4200		
	GRAD.	0.5		1	2	10		20		50			
METRIC MODEL		T230M2-S	T450M-S	T900M-S	T1800M-S	7000T-S	10000T-S	14000T-S	21000T-S	28000T-S	42000T-S		
TORQUE RANGE [kgf·cm/kgf·m]	MIN.~MAX.	kgf·cm 35~230	50~450	100~900	200~1800	kgf·m 7~70	10~100	20~140	20~210	30~280	40~420		
	GRAD.	kgf·cm 5		10	20	kgf·m 1		2		5			
AMERICAN MODEL		T200I-3AS	T400I-3AS	T65F-4AS	T130F-4AS	7000T-A-S	10000T-A-S	14000T-A-S	21000T-A-S	28000T-A-S	42000T-A-S		
TORQUE RANGE [lbf·in/lbf·ft]	MIN.~MAX.	lbf·in 20~200	50~400	lbf·ft 10~65	20~130	50~500	50~700	100~1000	200~1500	200~2000	400~3000		
	GRAD.	lbf·in 2	5	lbf·ft 1	2	5		10	20		50		
APPLICABLE BOLT (REFERENCE)	STEEL	M8	M10	M12(M14)	(M18)	(M27)	M30	(M33)	M36	(M39)M42	(M45)M48		
	HIGHT TENSION	(M7)	M8	M10	(M14)	M20	M24	(M27)	M30	(M33)	M36(M39)		
MAX. HAND FORCE P [N]		128	200	265	290	608	676	809	905	1015	1214		
DIMENSION [mm]	EFFECTIVE LENGTH (L)	180	225	340	620	1150	1480	1730	2320	2760	3460		
	OVERALL LENGTH (L')	205	261	376	656	1300	1630	1880	2500	2960	3660		
	WIDTH (B)	61.2					91					94	104
	HEIGHT (H)	127.5	141.5	163	182	101	117	123	130	144	161.3		
	SQ. DRIVE (a)	9.53			12.7		19.05	25.4			38.1		
	SQ. DRIVE (b)	11			15.5		20.5	26.5			42		
	BODY (H1)	95	113	140.5	162.5								
	BODY (M)	94											
	BODY (N)	71	82	102.5	118.5								
	BODY (d1)	16			21								
	BODY (ℓ 0)						1300	1630	1880	1200	1600	2000	
	BODY (ℓ 1)						143	144	156	158	165		
	BODY (d0)						34			40	45	48.6	
	BODY (d)									34	40		
WEIGHT [kg]		0.41	0.53	0.8	1.2	4.0	4.8	6.2	10	15.5	21.5		

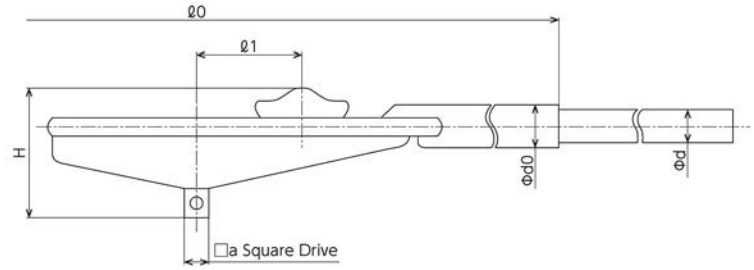
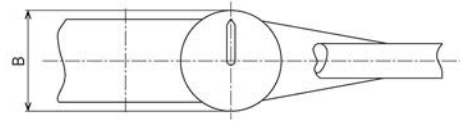
Notes

- T700N-S ~ 4200N-S models are manufactured after order is received.
- Use a through-hole socket (for power tools) for a square drive of 25.4 mm or larger.
- SI unit products and metric unit products are compliant with ISO 6789:2017 starting January 2022. Model names for some products and Calibration Certificates will be different from older products. American unit products are not compliant with ISO 6789:2017.

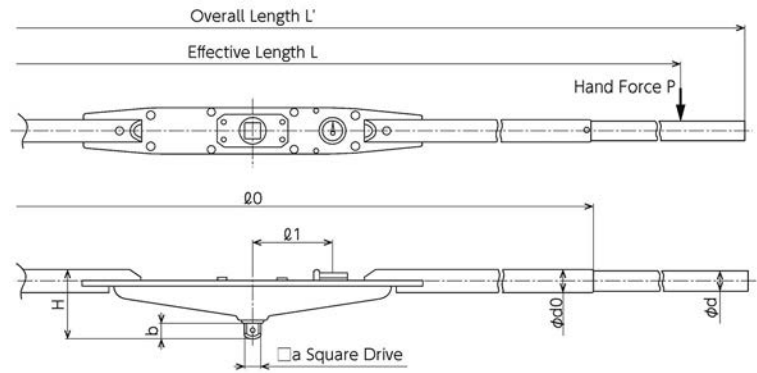
DIMENSIONS



T23N2-S~180N-S



T700N-S~2100N-S



T2800N-S~4200N-S